

1 EXISTING ROOF PLAN
907 SQFT

ASBUILT CONDITIONS

www.asbuiltcondit i ons co m

SF (415) 230-0452
LA (323) 284-7817
NY (347) 354 -1758

DISCLAIMER
THIS DRAWING IS THE RESULT OF AN ARCHITECTURAL SURVEY
CONDUCTED FOR THE PURPOSES OF GENERAL PLANNING,
LEASING, AND GENERAL PLANNING. IT SHOULD NOT BE USED
FOR EXACT MEASUREMENTS OR AS THE BASIS FOR PURCHASES
OF SPECIFIC ITEMS WITHOUT FIELD VERIFICATION.

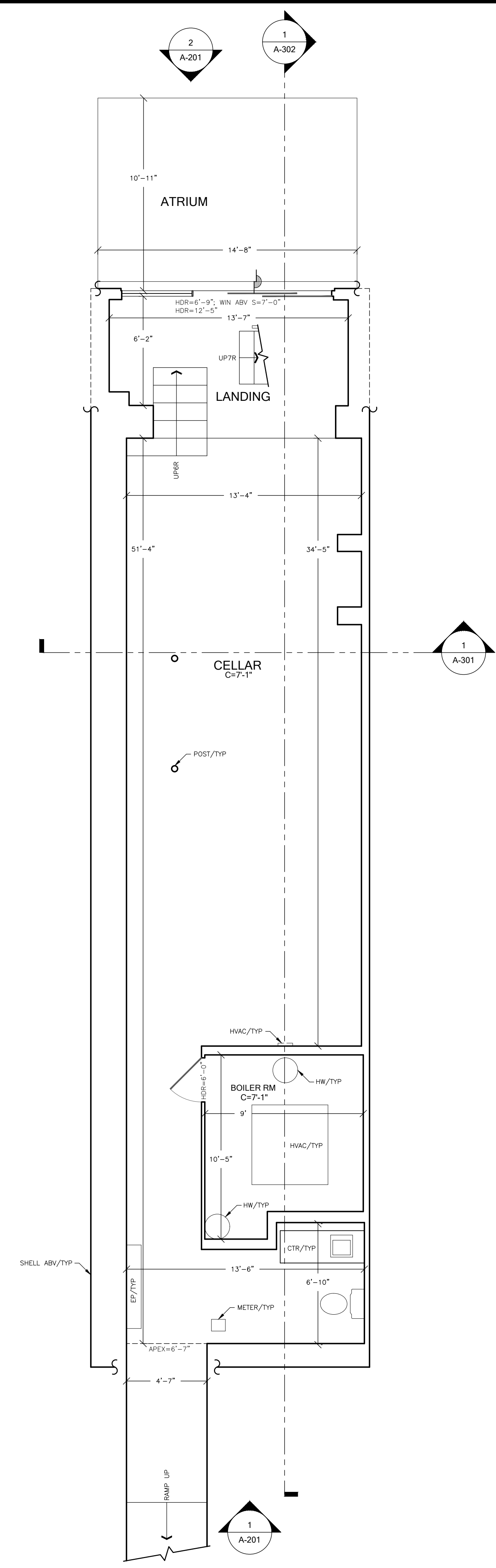
26 E. 78TH ST.
NEW YORK, NY

ROOF PLAN

DRAWN BY: JJ FIELD SURVEY
AUDITED BY: JJ 08/19/2019-08/26/2019
CAT#_26_NY_rev1 SHEET SIZE: 24x36

A-101

SCALE: 1/4"=10' 1 OF 12



1 EXISTING BASEMENT LEVEL FLOOR PLAN
 1,013 SQFT INTERIOR
 158 SQFT EXTERIOR

EXTERIOR WALL CONDITIONS ASSUMED. ACCESS LIMITED. FIELD VERIFICATION NEEDED.

ASBUILT CONDITIONS

www.asbuiltcondit i ons co m

SF (415) 230-0452
 LA (323) 284-7817
 NY (347) 354 -1758

DISCLAIMER
 THIS DRAWING IS THE RESULT OF AN ARCHITECTURAL SURVEY
 AND IS NOT TO BE USED FOR CONSTRUCTION, LEASING,
 LEASE, AND GENERAL PLANNING. IT SHOULD NOT BE USED
 FOR EXACT MEASUREMENTS OR AS THE BASIS FOR PURCHASES
 OF SPECIFIC ITEMS WITHOUT FIELD VERIFICATION.

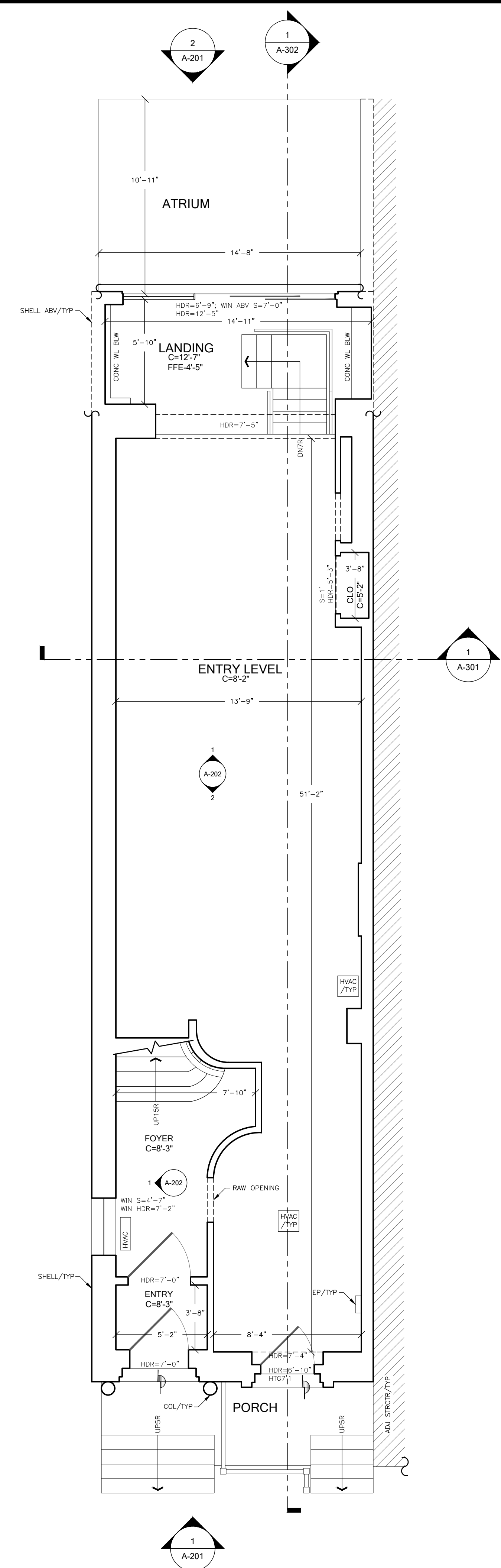
26 E. 78TH ST.
 NEW YORK, NY

FLOOR PLAN

DRAWN BY: JJ FIELD SURVEY
 AUDITED BY: JJ 08/19/2019-08/26/2019
 CAT# 26_NY_rev1 SHEET SIZE: 24x36

A-102

SCALE: 1/4"=10' 2 OF 12



1 EXISTING ENTRY LEVEL FLOOR PLAN
 965 SQFT INTERIOR
 296 SQFT EXTERIOR

EXTERIOR WALL CONDITIONS ASSUMED. ACCESS LIMITED. FIELD VERIFICATION NEEDED.

ASBUILT CONDITIONS

www.asbuitcondit i ons co m

SF (415) 230-0452
 LA (323) 284-7817
 NY (347) 354 -1758

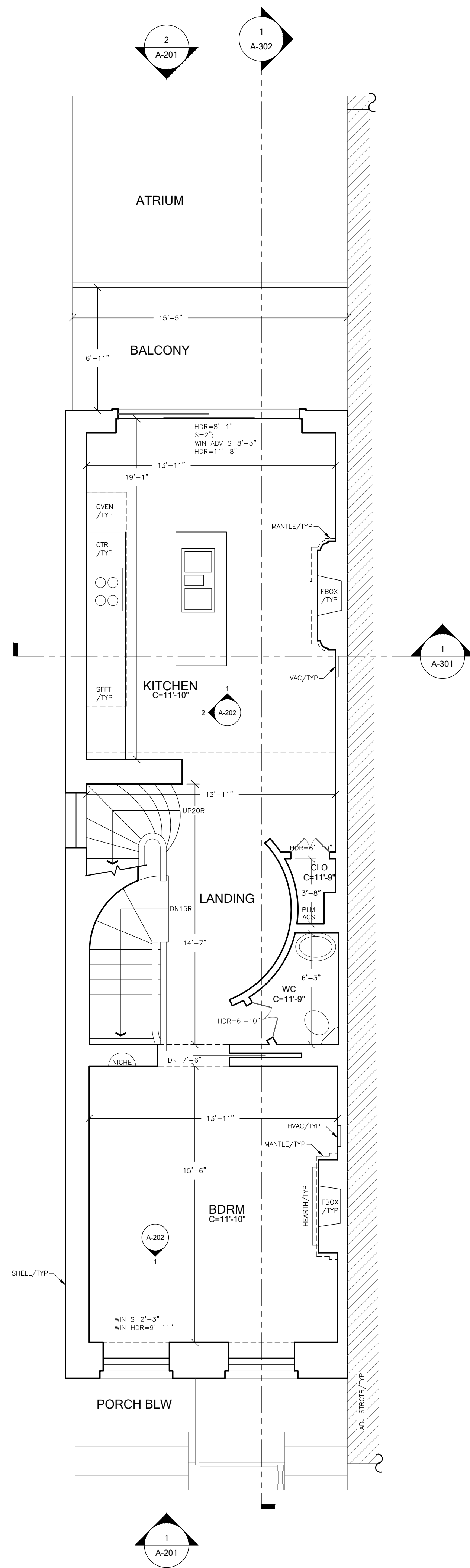
DISCLAIMER
 THIS DRAWING IS THE RESULT OF AN ARCHITECTURAL SURVEY
 AND IS NOT TO BE USED FOR CONSTRUCTION, LEASING,
 OR ANY OTHER PURPOSES WITHOUT FIELD VERIFICATION.
 FOR EXACT MEASUREMENTS OR AS THE BASIS FOR PURCHASES
 OF SPECIFIC ITEMS WITHOUT FIELD VERIFICATION.

26 E. 78TH ST.
 NEW YORK, NY

FLOOR PLAN

DRAWN BY: JJ FIELD SURVEY
 AUDITED BY: JJ 08/19/2019-08/26/2019
 CAT#_26_NY_rev1 SHEET SIZE: 24x36

A-103
 SCALE: 1/4"=10'
 3 OF 12



1 EXISTING SECOND LEVEL FLOOR PLAN
 857 SQFT INTERIOR
 111 SQFT EXTERIOR

EXTERIOR WALL CONDITIONS ASSUMED. ACCESS LIMITED. FIELD VERIFICATION NEEDED.

ASBUILT CONDITIONS

www.asbuiltcondit i ons co m

SF (415) 230-0452

LA (323) 284-7817

NY (347) 354 -1758

DISCLAIMER
 THIS DRAWING IS THE RESULT OF AN ARCHITECTURAL SURVEY
 AND IS NOT TO BE USED FOR CONSTRUCTION, LEASING,
 LEASE, AND GENERAL PLANNING. IT SHOULD NOT BE USED
 FOR EXACT MEASUREMENTS OR AS THE BASIS FOR PURCHASES
 OF SPECIFIC ITEMS WITHOUT FIELD VERIFICATION.

26 E. 78TH ST.
 NEW YORK, NY

FLOOR PLAN

DRAWN BY: JJ FIELD SURVEY

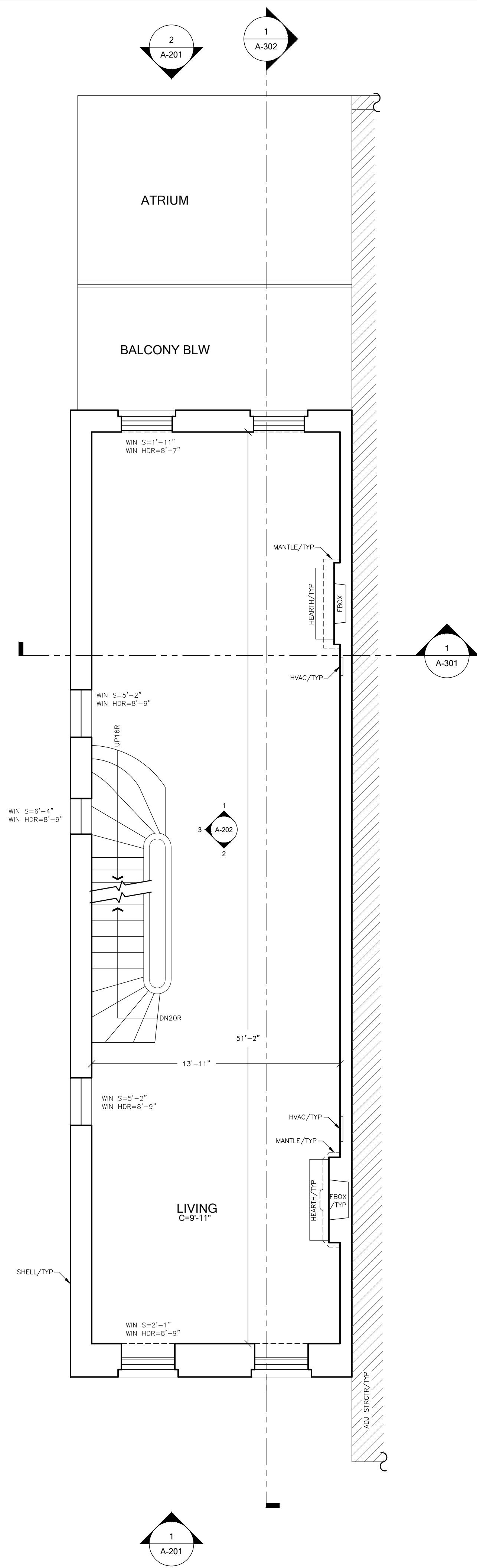
AUDITED BY: JJ 08/19/2019-08/26/2019

CAT# 26_NY_rev1 SHEET SIZE: 24x36

A-104

SCALE: 1/4"=10'

4 OF 12



1 EXISTING THIRD LEVEL FLOOR PLAN
857 SQFT INTERIOR

EXTERIOR WALL CONDITIONS ASSUMED. ACCESS LIMITED. FIELD VERIFICATION NEEDED.

ASBUILT CONDITIONS

www.asbuiltcondit i ons co m

SF (415) 230-0452
LA (323) 284-7817
NY (347) 354-1758

DISCLAIMER
THIS DRAWING IS THE RESULT OF AN ARCHITECTURAL SURVEY
CONDUCTED FOR THE PURPOSES OF GENERAL PLANNING,
LEASING, AND GENERAL PLANNING. IT SHOULD NOT BE USED
FOR EXACT MEASUREMENTS OR AS THE BASIS FOR PURCHASES
OF SPECIFIC ITEMS WITHOUT FIELD VERIFICATION.

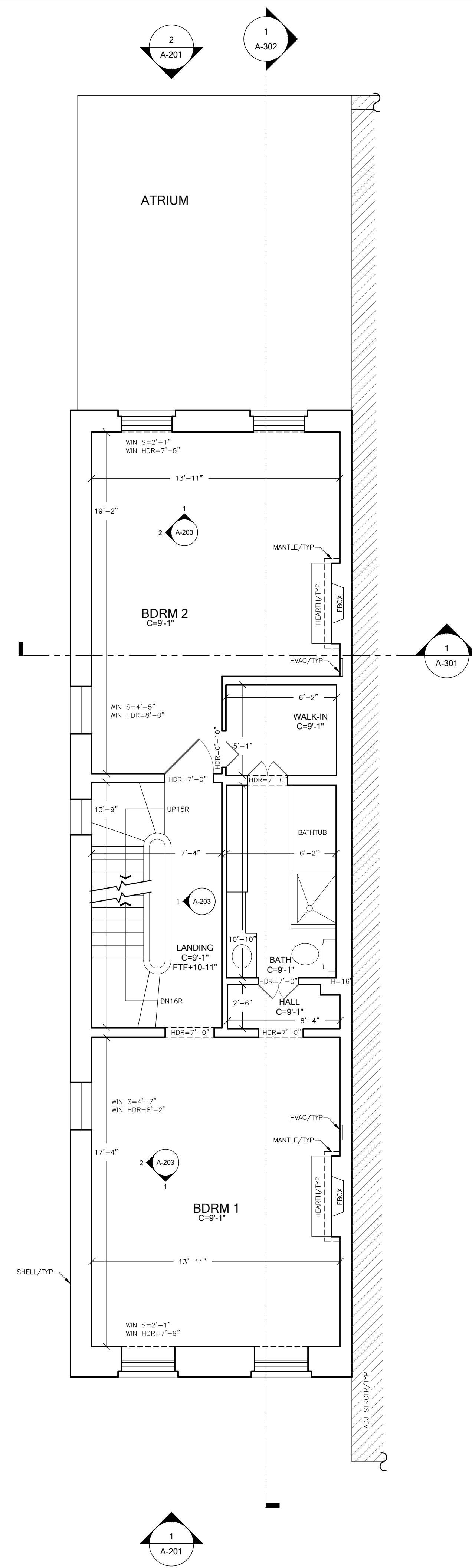
26 E. 78TH ST.
NEW YORK, NY

FLOOR PLAN

DRAWN BY: JJ FIELD SURVEY
AUDITED BY: JJ 08/19/2019-08/26/2019
CAT#_26_NY_rev1 SHEET SIZE: 24x36

A-105

SCALE: 1/4"=10' 5 OF 12



1 EXISTING FOURTH LEVEL FLOOR PLAN
857 SOFT INTERIOR

EXTERIOR WALL CONDITIONS ASSUMED. ACCESS LIMITED. FIELD VERIFICATION NEEDED.

ASBUILT CONDITIONS

www.asbuiltcondit i ons co m

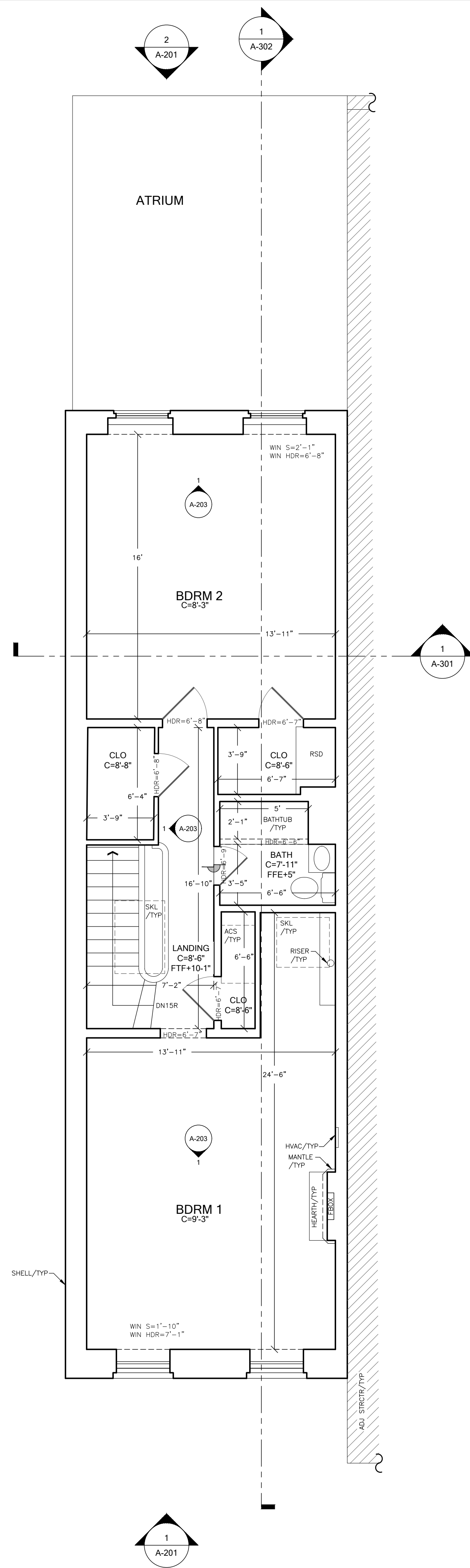
SF (415) 230-0452
LA (323) 284-7817
NY (347) 354-1758

DISCLAIMER
THIS DRAWING IS THE RESULT OF AN ARCHITECTURAL SURVEY
CONDUCTED FOR THE PURPOSES OF GENERAL PLANNING,
LEASING, AND GENERAL PLANNING. IT SHOULD NOT BE USED
FOR EXACT MEASUREMENTS OR AS THE BASIS FOR PURCHASES
OF SPECIFIC ITEMS WITHOUT FIELD VERIFICATION.

26 E. 78TH ST.
NEW YORK, NY
FLOOR PLAN

DRAWN BY: JJ FIELD SURVEY
AUDITED BY: JJ 08/19/2019-08/26/2019
CAT#_26_NY_rev1 SHEET SIZE: 24x36

A-106



1 EXISTING FIFTH LEVEL FLOOR PLAN
857 SOFT INTERIOR

EXTERIOR WALL CONDITIONS ASSUMED. ACCESS LIMITED. FIELD VERIFICATION NEEDED.

ASBUILT CONDITIONS

www.asbuiltcondit i ons co m

SF (415) 230-0452

LA (323) 284-7817

NY (347) 354 -1758

DISCLAIMER
THIS DRAWING IS THE RESULT OF AN ARCHITECTURAL SURVEY
CONDUCTED FOR THE PURPOSES OF GENERAL PLANNING,
LEASING, AND GENERAL PLANNING. IT SHOULD NOT BE USED
FOR EXACT MEASUREMENTS OR AS THE BASIS FOR PURCHASES
OF SPECIFIC ITEMS WITHOUT FIELD VERIFICATION.

26 E. 78TH ST.
NEW YORK, NY

FLOOR PLAN

DRAWN BY: JJ FIELD SURVEY

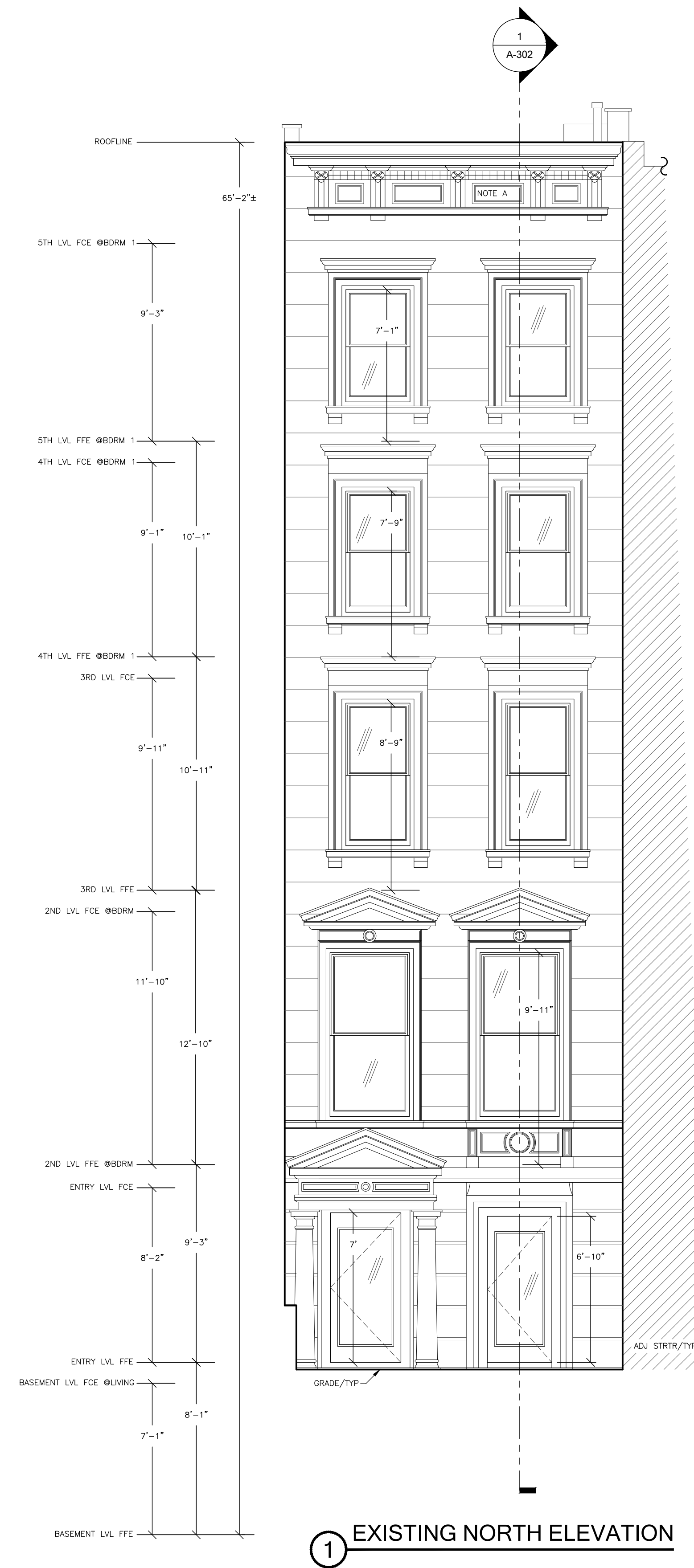
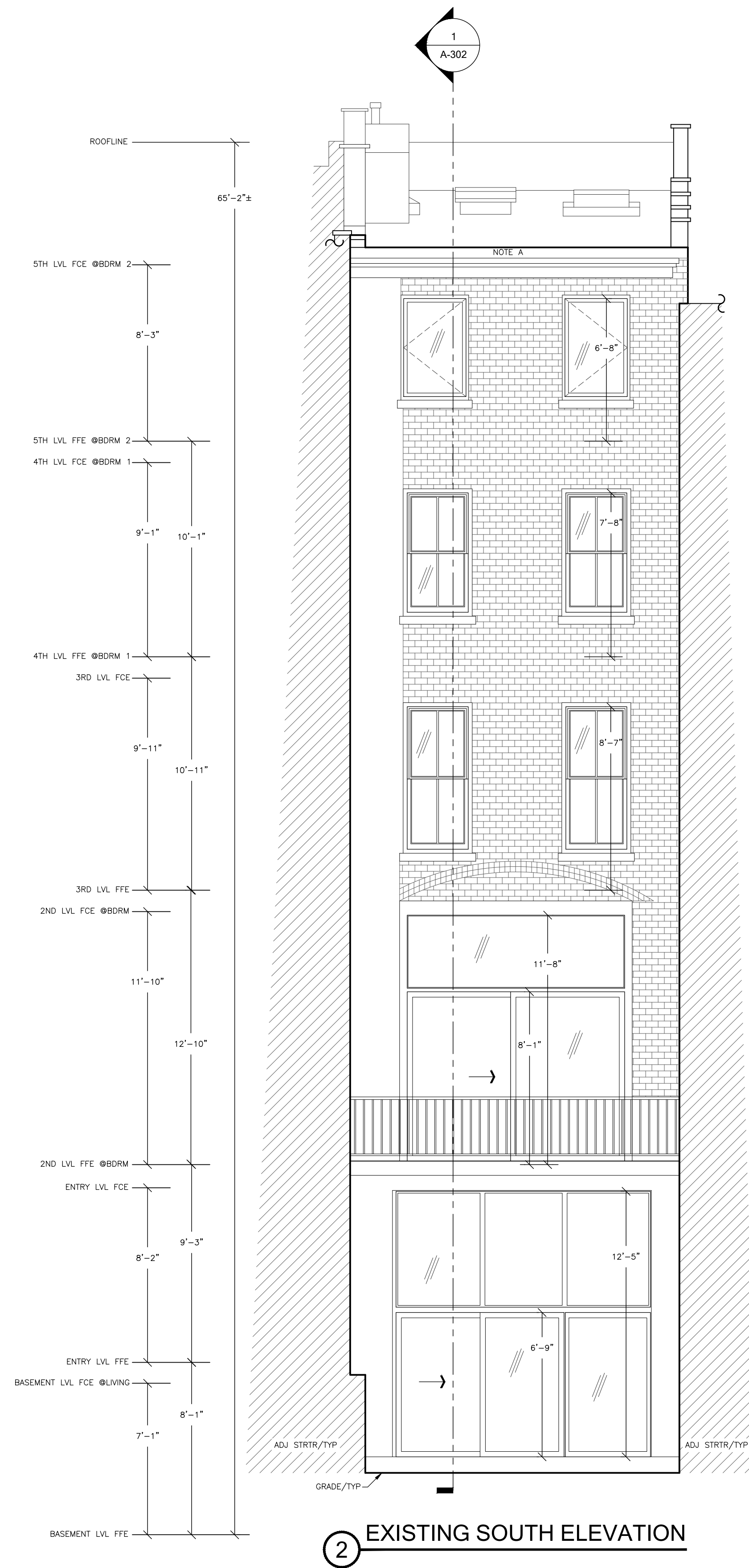
AUDITED BY: JJ 08/19/2019-08/26/2019

CAT#_26_NY_rev1 SHEET SIZE: 24x36

A-107

SCALE: 1/4"=10'

7 OF 12



SF (415) 230-0452
 LA (323) 284-7817
 NY (347) 354 -1758

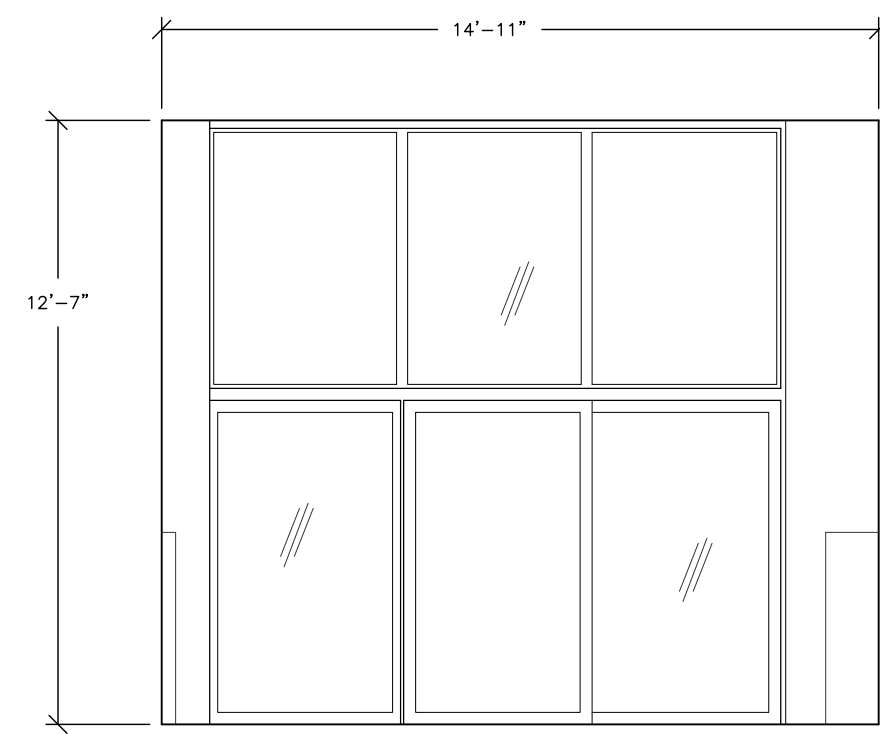
DISCLAIMER
 THIS DRAWING IS THE RESULT OF AN ARCHITECTURAL SURVEY
 OF AN EXISTING BUILDING. IT IS NOT TO BE USED FOR
 LEASING AND GENERAL PLANNING. IT SHOULD NOT BE USED
 FOR EXACT MEASUREMENTS OR AS THE BASIS FOR PURCHASES
 OF SPECIFIC ITEMS WITHOUT FIELD VERIFICATION.

26 E. 78TH ST.
 NEW YORK, NY
 ELEVATIONS

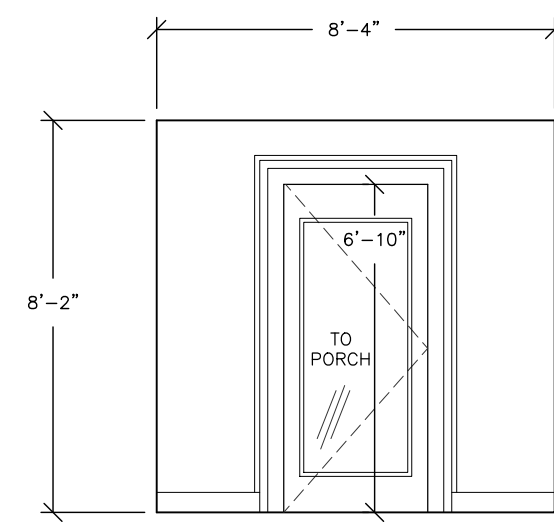
DRAWN BY: JJ FIELD SURVEY
 AUDITED BY: JJ 08/19/2019-08/26/2019
 CAT#_26_NY_rev1 SHEET SIZE: 24x36

A-201
 SCALE: 1/4"=10' 8 OF 12

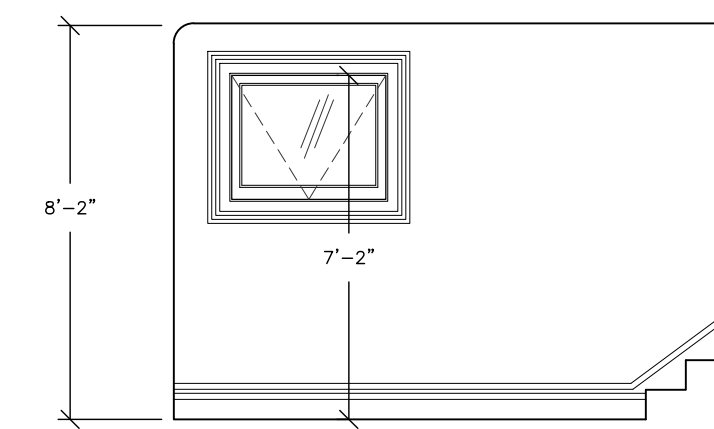
NOTE A:
 ELEMENT NOT MEASURED, ILLUSTRATOR'S RENDERING.



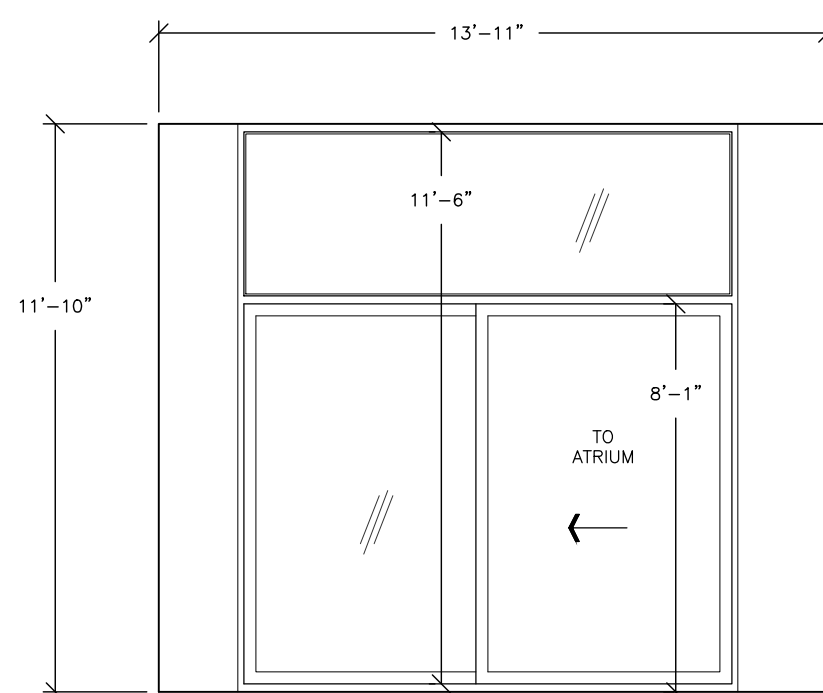
1 EXISTING ENTRY LVL ELEVATION



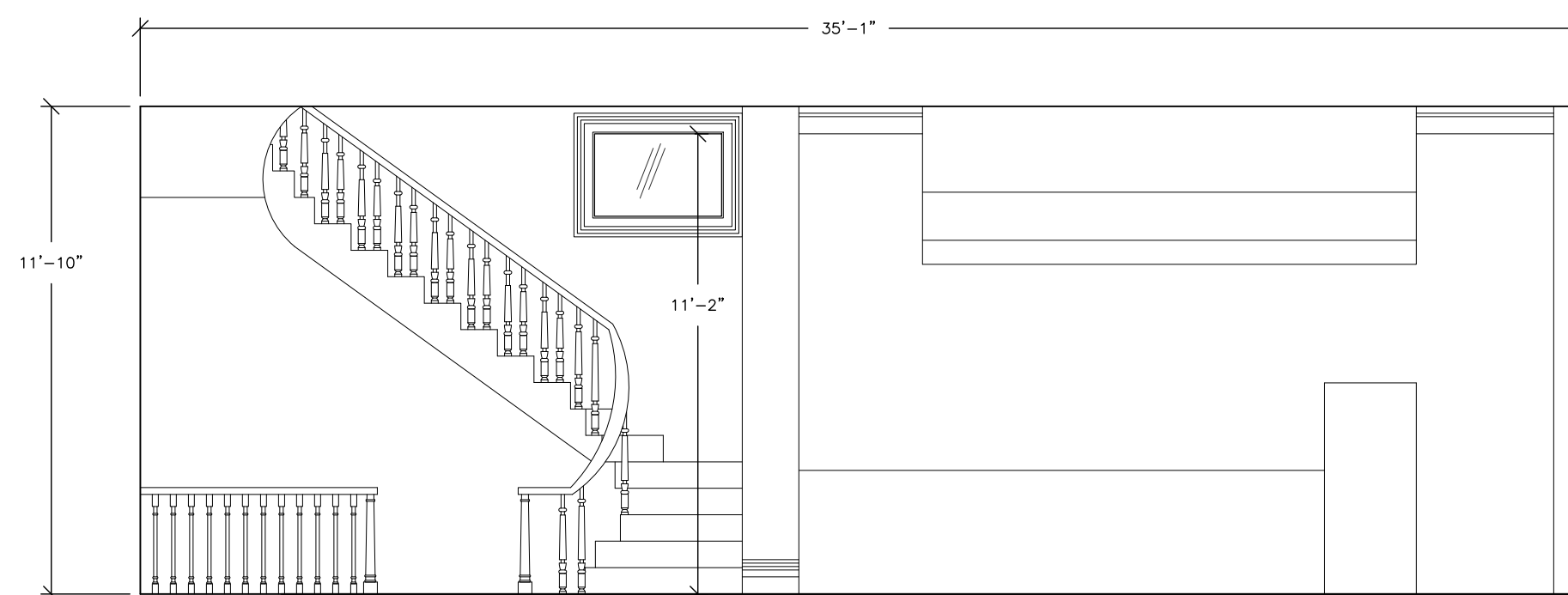
2 EXISTING ENTRY LVL ELEVATION



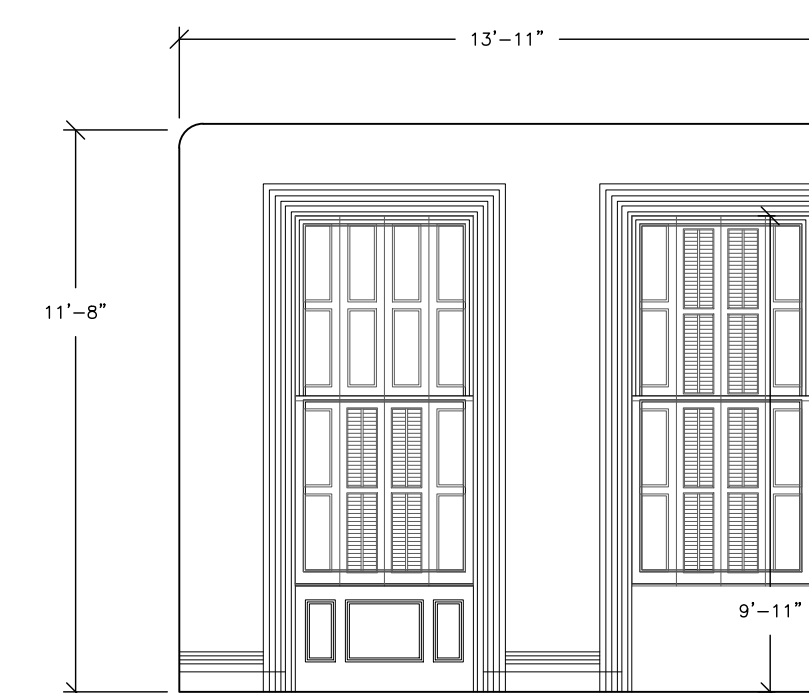
1 EXISTING ENTRY LVL FOYER ELEVATION



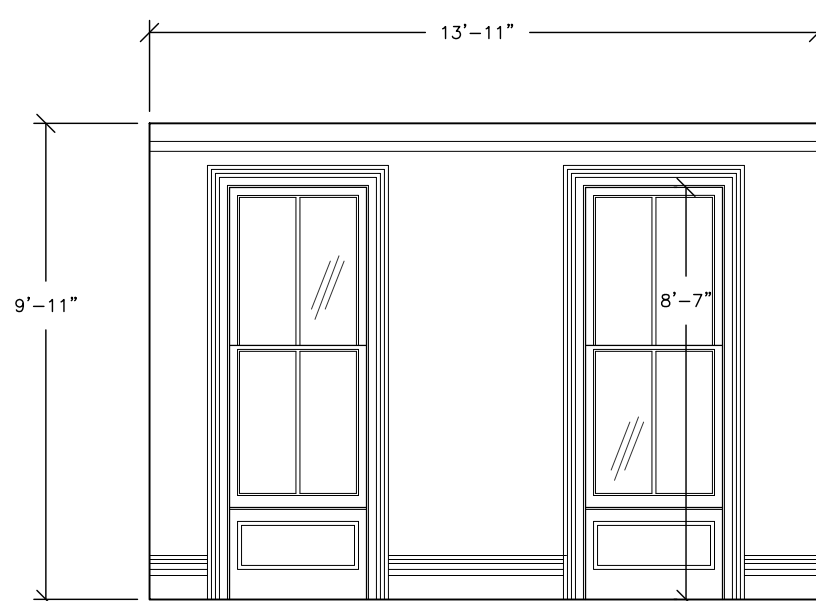
1 EXISTING LVL 2 KITCHEN ELEVATION



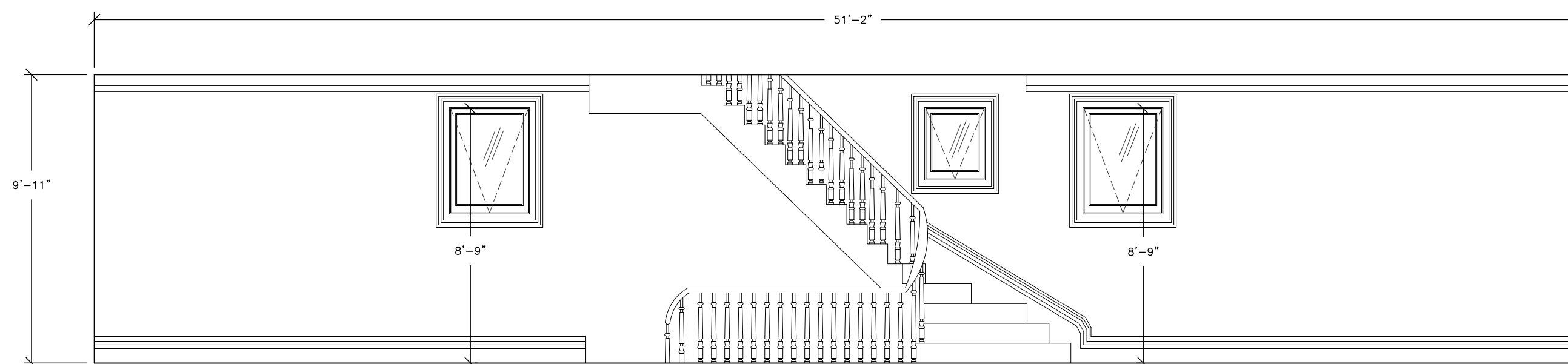
2 EXISTING LVL 2 KITCHEN ELEVATION



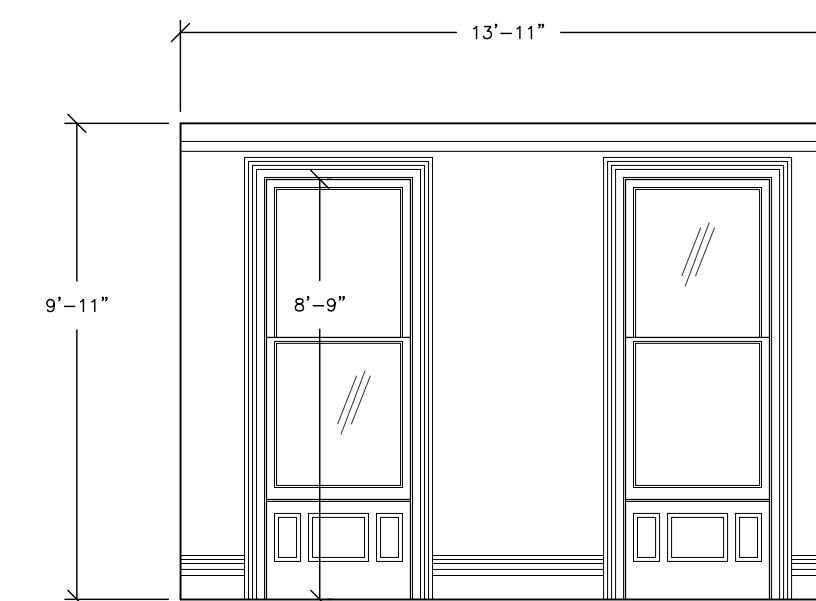
1 EXISTING LVL 2 BDRM ELEVATION



1 EXISTING LVL 3 ELEVATION



2 EXISTING LVL 3 ELEVATION



3 EXISTING LVL 3 ELEVATION

SF (415) 230-0452

LA (323) 284-7817

NY (347) 354-1758

DISCLAIMER
THIS DRAWING IS THE RESULT OF AN ARCHITECTURAL SURVEY
CONDUCTED FOR THE PURPOSES OF AS-BUILT RECORDING,
LEASING, AND GENERAL PLANNING. IT SHOULD NOT BE USED
FOR EXACT MEASUREMENTS OR AS THE BASIS FOR PURCHASES
OF SPECIFIC ITEMS WITHOUT FIELD VERIFICATION.

26 E. 78TH ST.
NEW YORK, NY
INTERIOR ELEVATIONS

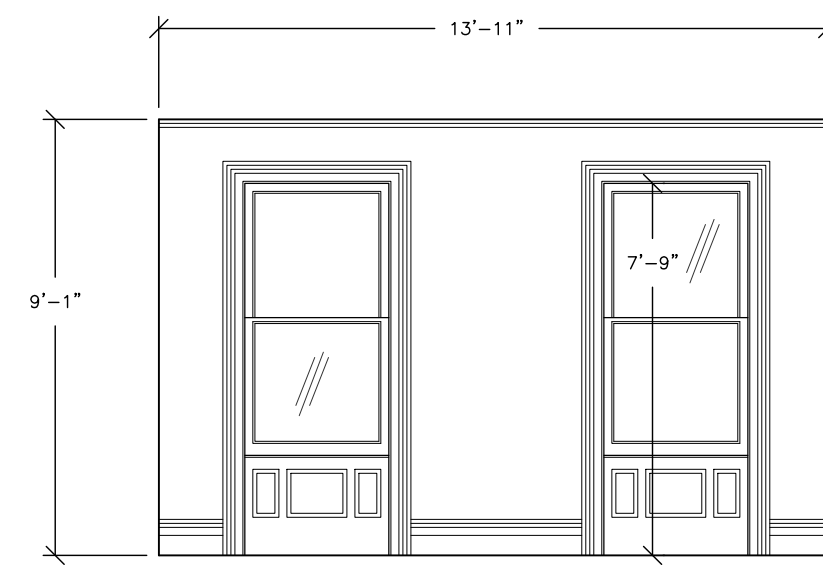
DRAWN BY: JJ FIELD SURVEY

AUDITED BY: JJ 08/19/2019-08/26/2019

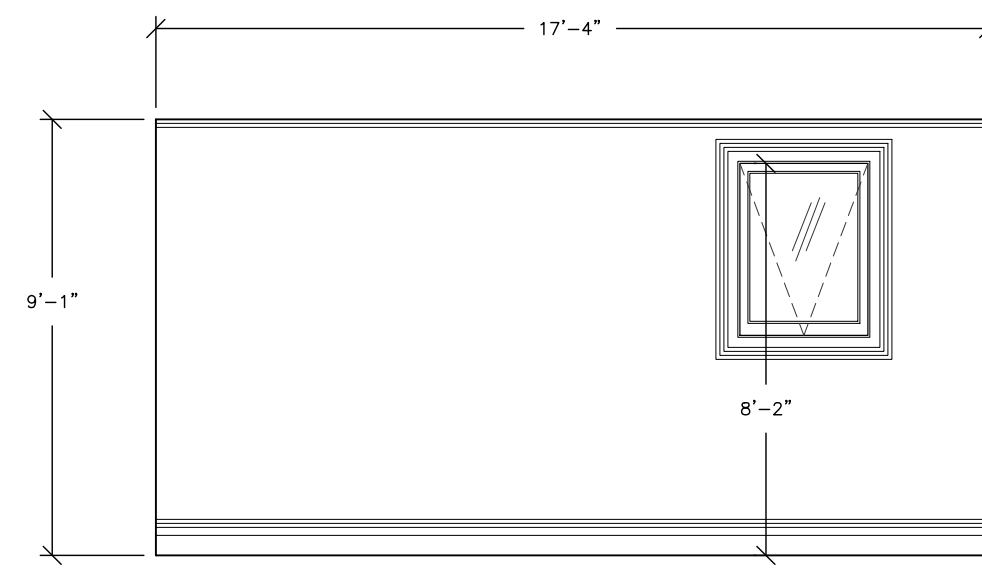
CAT#_26_NY_rev1 SHEET SIZE: 24x36

A-202

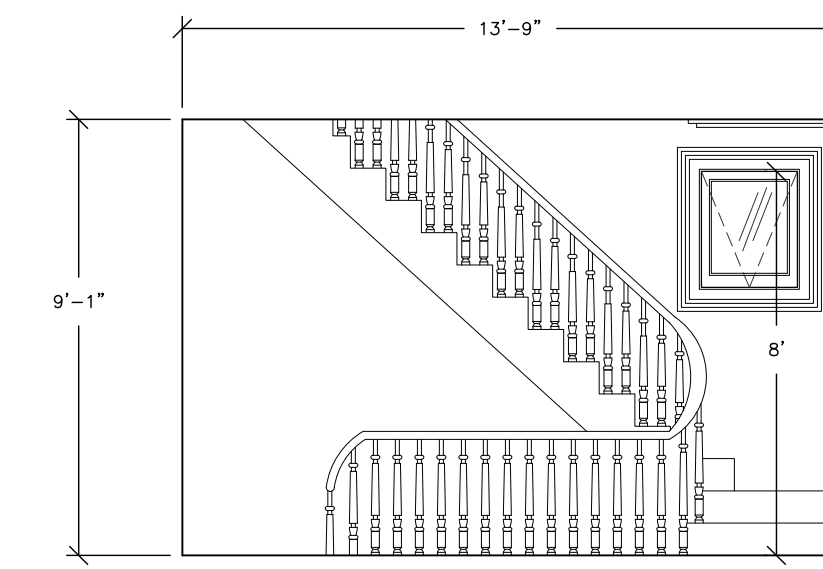
SCALE: 1/4"=10" 9 OF 12



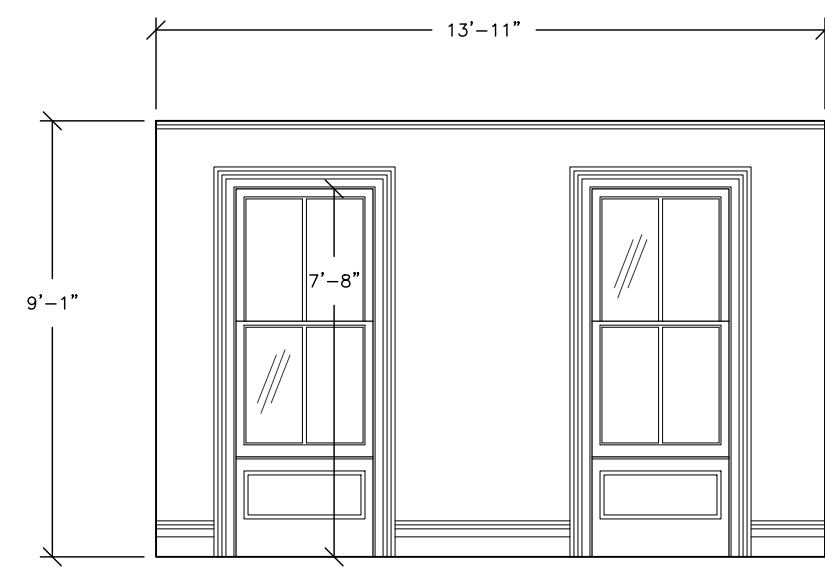
① EXISTING LVL 4 BDRM 1 ELEVATION



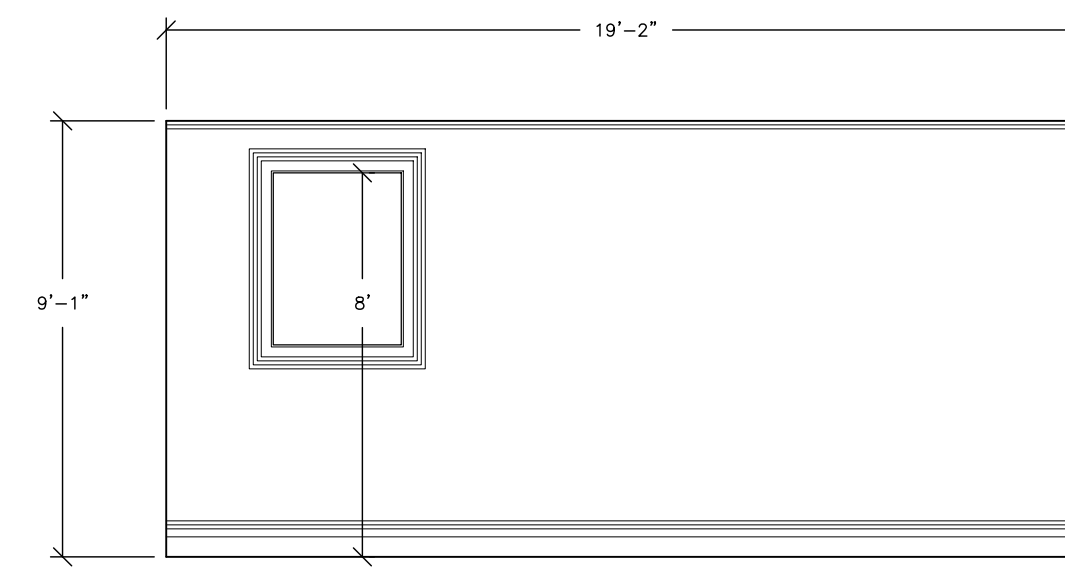
② EXISTING LVL 4 BDRM 1 ELEVATION



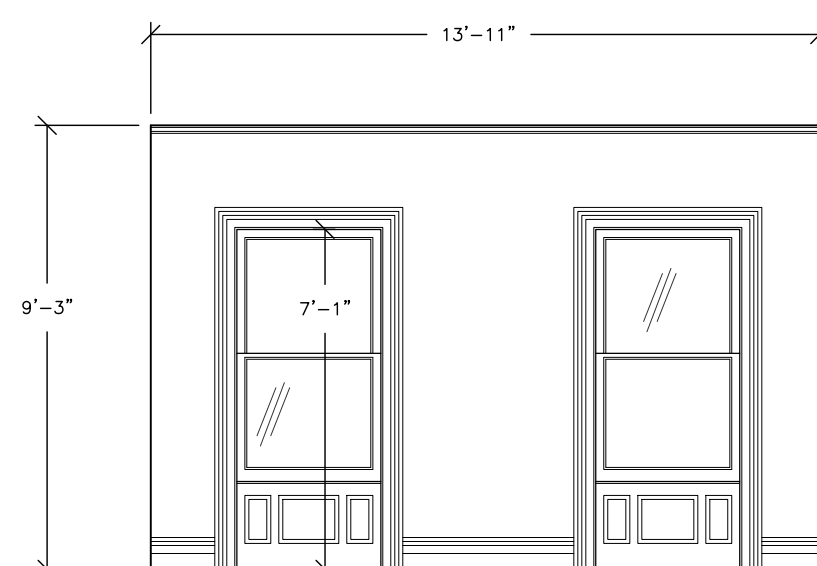
① EXISTING LVL 4 LANDING ELEVATION



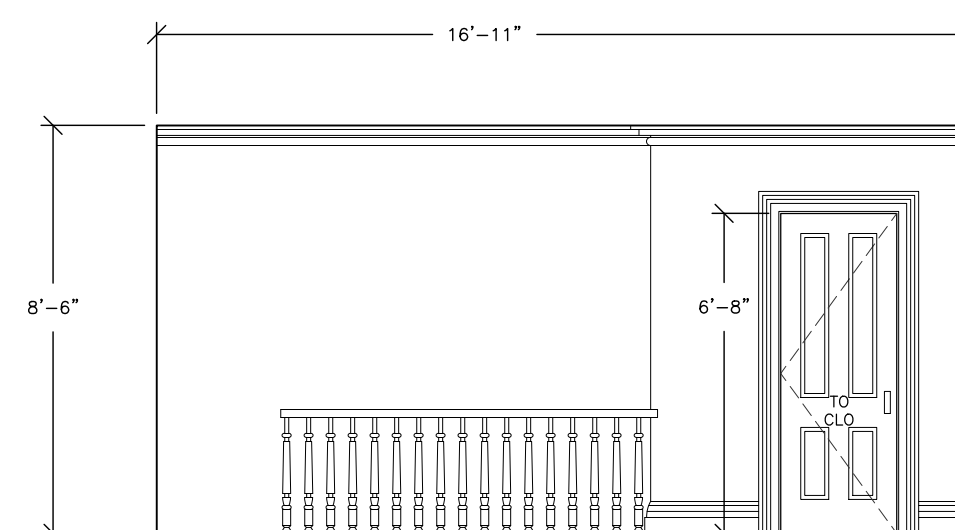
① EXISTING LVL 4 BDRM 2 ELEVATION



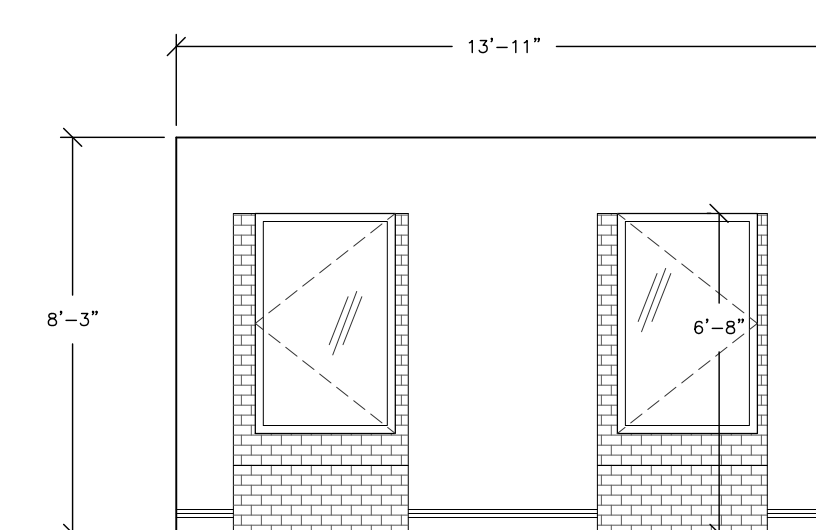
② EXISTING LVL 4 BDRM 2 ELEVATION



① EXISTING LVL 5 BDRM 1 ELEVATION



① EXISTING LVL 5 LANDING ELEVATION



① EXISTING LVL 4 BDRM 2 ELEVATION

SF (415) 230-0452

LA (323) 284-7817

NY (347) 354-1758

DISCLAIMER
THIS DRAWING IS THE RESULT OF AN ARCHITECTURAL SURVEY
CONDUCTED FOR THE PURPOSES OF AS-BUILT RECORDING,
LEASING, AND GENERAL PLANNING. IT SHOULD NOT BE USED
FOR EXACT MEASUREMENTS OR AS THE BASIS FOR PURCHASES
OF SPECIFIC ITEMS WITHOUT FIELD VERIFICATION.

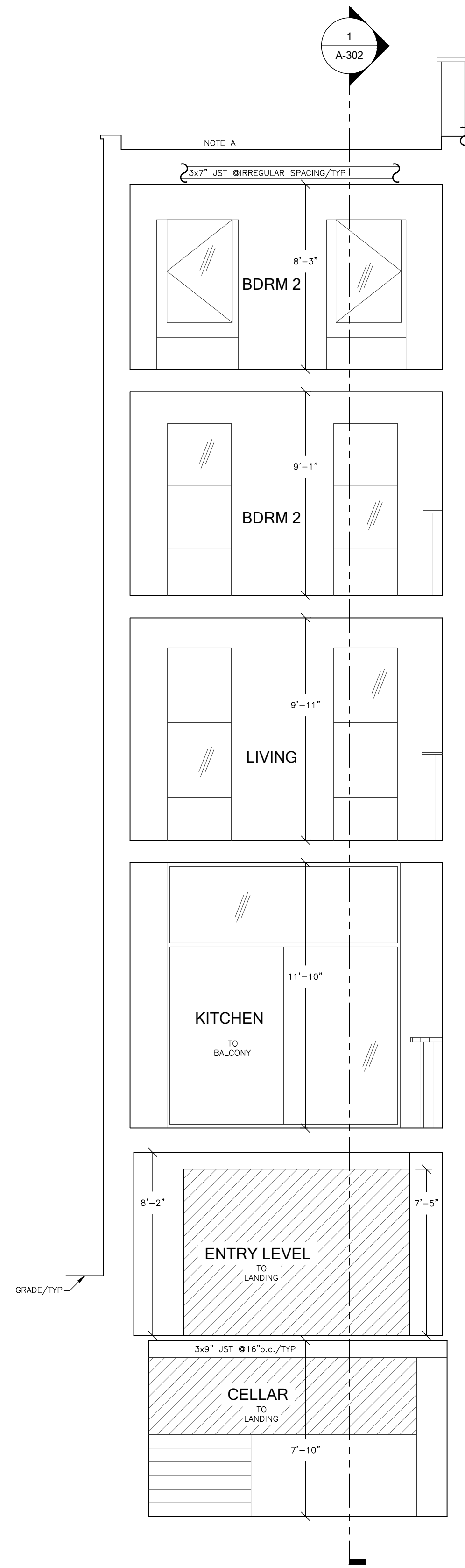
26 E. 78TH ST.
NEW YORK, NY

INTERIOR ELEVATIONS

DRAWN BY: JJ FIELD SURVEY
AUDITED BY: JJ 08/19/2019-08/26/2019
CAT#_26_NY_rev1 SHEET SIZE: 24x36

A-203

SCALE: 1/4"=10" 10 OF 12



ASBUILT CONDITIONS

www.asbuiltcondit i ons co m

SF (415) 230-0452

LA (323) 284-7817

NY (347) 354 -1758

DISCLAIMER
 THIS DRAWING IS THE RESULT OF AN ARCHITECTURAL SURVEY
 AND IS NOT TO BE USED FOR CONSTRUCTION, LEASING,
 LEASE, AND GENERAL PLANNING. IT SHOULD NOT BE USED
 FOR EXACT MEASUREMENTS OR AS THE BASIS FOR PURCHASES
 OF SPECIFIC ITEMS WITHOUT FIELD VERIFICATION.

26 E. 78TH ST.
 NEW YORK, NY

SECTION

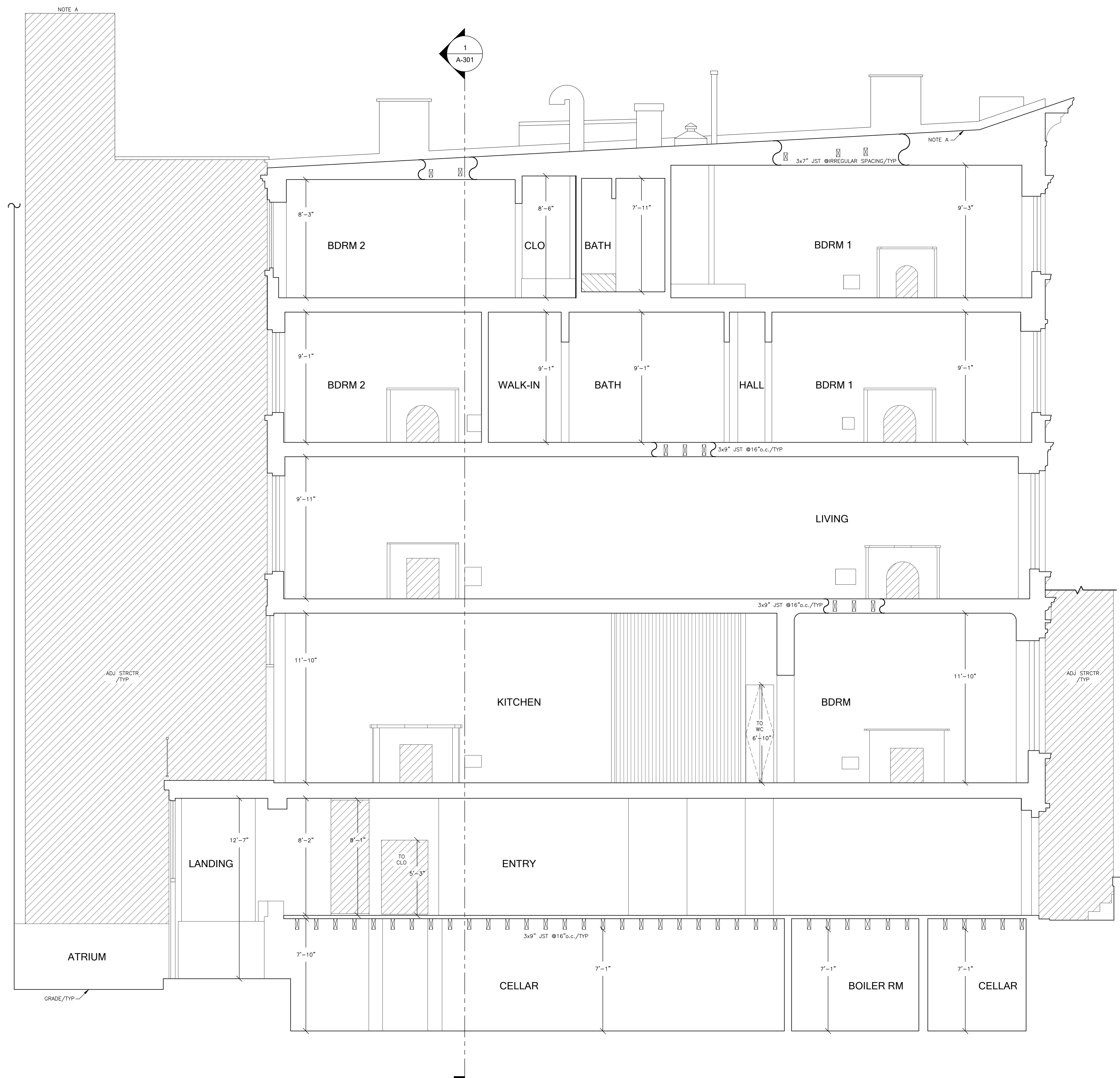
DRAWN BY: JJ FIELD SURVEY

AUDITED BY: JJ 08/19/2019-08/26/2019

CAT# 26_NY_rev1 SHEET SIZE: 24x36

A-301

SCALE: 1/4"=10" 1 OF 12



ASBUILT CONDITIONS

www.asbuiltcondit i ons co m

SF (415) 230-0452
 LA (323) 284-7817
 NY (347) 354 -1758

DISCLAIMER
 THIS DRAWING IS THE RESULT OF AN ARCHITECTURAL SURVEY
 OF EXISTING CONDITIONS. IT IS NOT TO BE USED FOR
 LEASING AND GENERAL PLANNING. IT SHOULD NOT BE USED
 FOR EXACT MEASUREMENTS OR AS THE BASIS FOR PURCHASES
 OF SPECIFIC ITEMS WITHOUT FIELD VERIFICATION.

26 E. 78TH ST.
 NEW YORK, NY

SECTION

DRAWN BY: JJ FIELD SURVEY
 AUDITED BY: JJ 08/19/2019-08/26/2019
 CAT#_26_NY_rev1 SHEET SIZE: 24x36

A-302

SCALE: 1/4"=10" 12 OF 12